

NOTES:

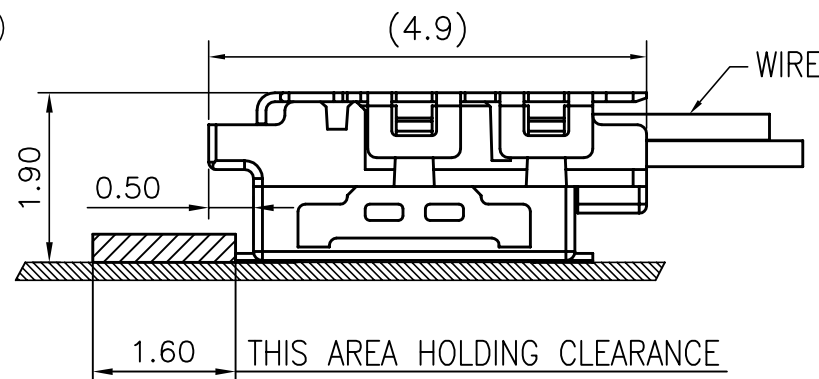
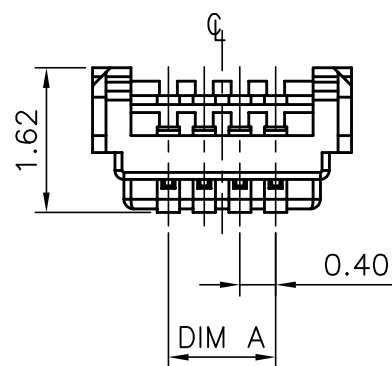
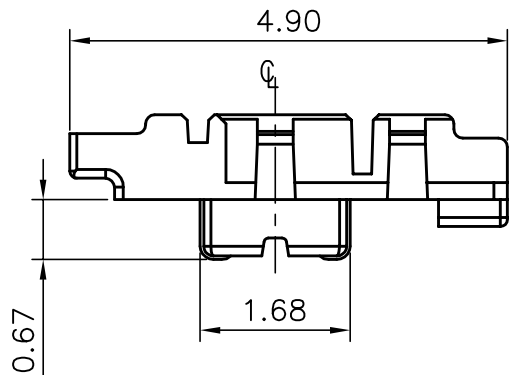
1. MATERIAL:
  - 1.1 HOUSING: THERMOPLASTIC, HIGH TEMP.,UL94V-0
  - 1.2 CONTACT: COPPER ALLOY
2. FINISH:
  - CONTACT:
    - 1: 50u" MIN. NICKEL PLATING OVERALL
    - GOLD FLASH PLATING OVERALL
3. SPEC. PLS. REFER TO PS-51328-XXXX-XXX
4. APPLICABLE WIRE:
  - AWG# 36/7C UL10064 OD:0.27±0.02MM.
5. PART NUMBER

51329-XXX X X- 001

NO OF CKT: X

PACKING: 1: TUBE

PLATING: 1: G/F OVERALL



MATED CONDITION

2	51329-MXXX-XXX	METAL SHELL
1	51329-XXXPXXX-XXX	HOUSING
NO	PART NO	PART NAME

一般公差 <b>TOLERANCES</b> X ±0.5    .XX ±0.15 X ±0.25    .XXX ±0.1 ANGLES    ±2°		<b>宏致電子股份有限公司</b> <b>Aces Electronics Co.,Ltd.</b>	
檢驗尺寸標示	品名 (TITLE)	製圖 (DR)	
SYMBOLS Ⓞ Ⓢ INDICATE CLASSIFICATION DIMENSION	SLIMMATE SERIES 0.4mm PITCH WTB(H=1.72)CONN MALE .	'17/03/27	CARL
Ⓞ MARK IS CRITICAL DIM. Ⓢ MARK IS MAJOR DIM.	圖號 (DWG.NO)	核准 (APPD)	SEAN
	51329-XXXXX-XXX	JASON	
表面處理 (FINISH)	比例 (SCALE)	單位 (UNITS)	張數 (SHEET)
	10:1	mm	1 OF 3
			SIZE A4
			REV C

008	1.20	2.90
CKT	DIM A	DIM B



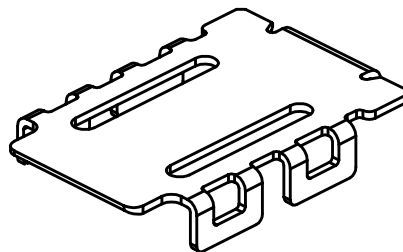
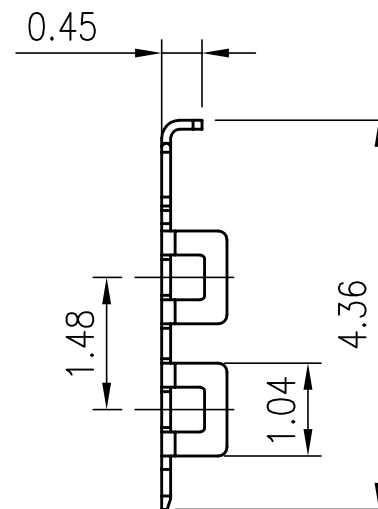
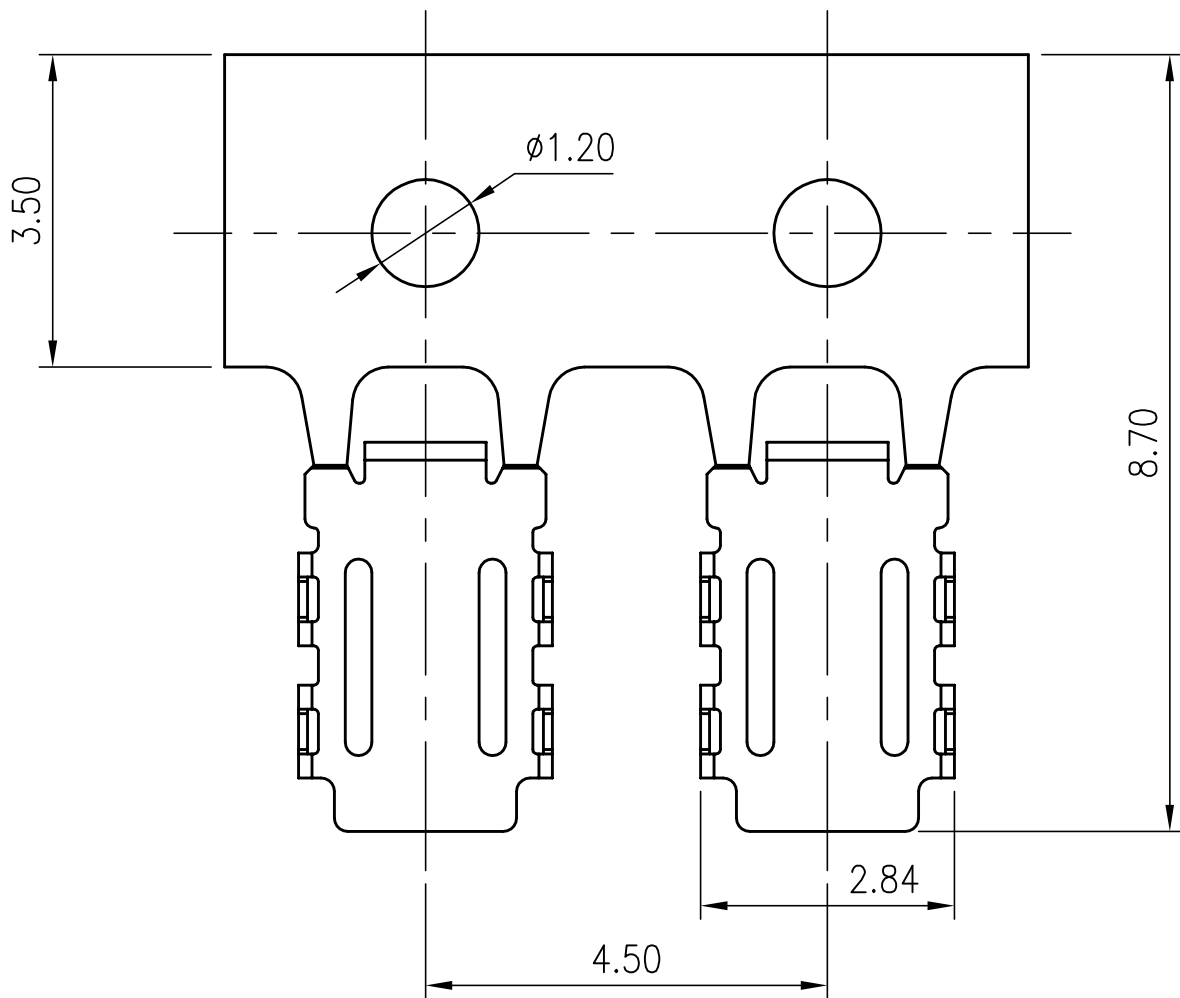
NOTES:

1. MATERIAL:SUS304 ,THICKNESS 0.10mm
2. 包裝規格:每盤 xx K SET;需標示 料號,品名,數量,日期,批號
3. PART NUMBER

51329-M X X X - 001

TYPE \_\_\_\_\_ FOR 8 PIN  
7.UPPER

MATERIAL \_\_\_\_\_ PLATED  
5.SUS304-H 9.NONE

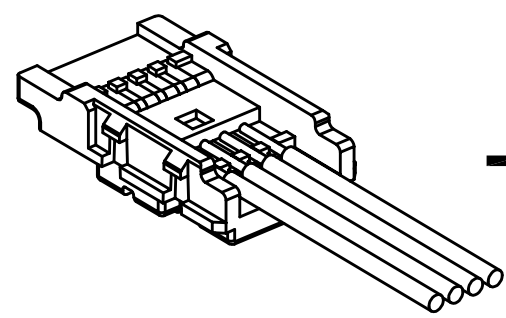


一般公差 <b>TOLERANCES</b> X ±0.5 .XX ±0.15 X ±0.25 .XXX ±0.1 ANGLES ±2°		<b>宏致電子股份有限公司</b> <b>Aces Electronics Co.,Ltd.</b>	
檢驗尺寸標示 <b>SYMBOLS</b> Ⓞ Ⓢ INDICATE <b>CLASSIFICATION DIMENSION</b>	品名 (TITLE) SLIMMATE SERIES 0.4mm PITCH WTB(H=1.72)CONN MALE .	製圖 (DR) '17/03/27 審核 (CHKD)	CARL
Ⓞ MARK IS CRITICAL DIM. Ⓢ MARK IS MAJOR DIM.	圖號 (DWG.NO) 51329-XXXXX-XXX	核准 (APPD)	SEAN JASON
表面處理 (FINISH)	比例 (SCALE) 10:1	單位 (UNITS) mm	張數 (SHEET) 2 OF 3
			SIZE A4
			REV C

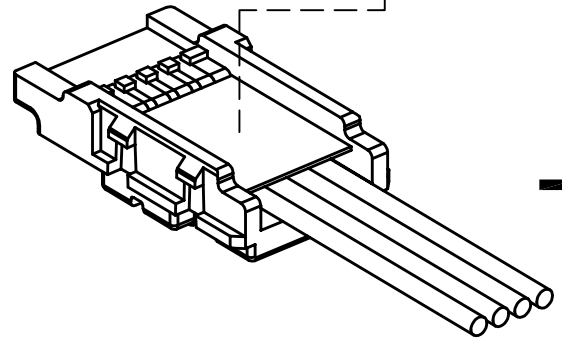
A B C D E F

# Recommended cable assembly process

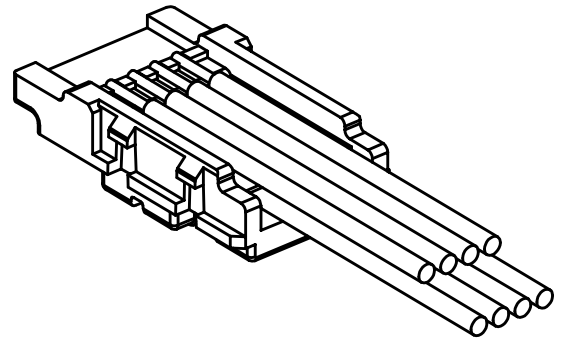
kapton Size:L=2.60mm  
W=2.00mm  
t=0.06mm



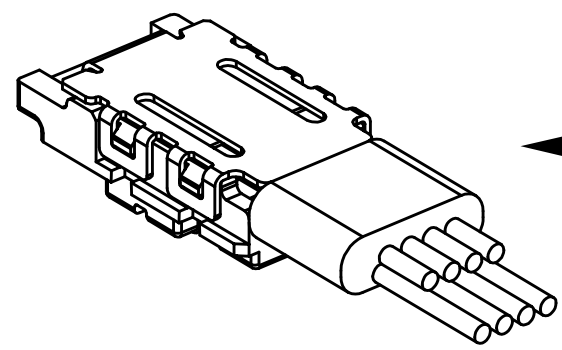
Lower pin soldering by hot bar process



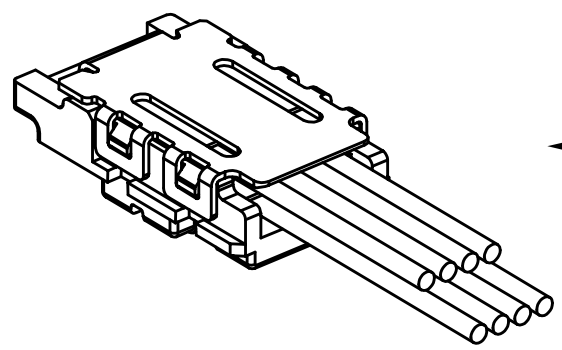
Stick kapton on the lower cable for isolation



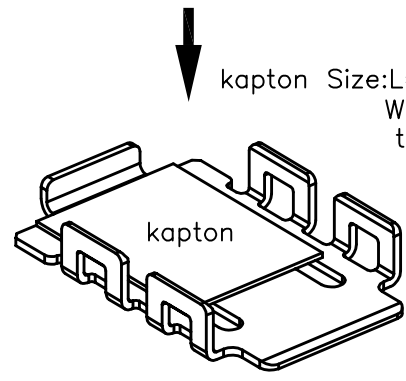
Upper pins soldering by hot bar process



UV Gluing on the tail

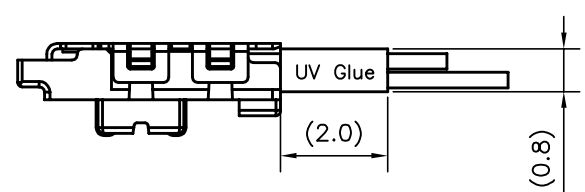
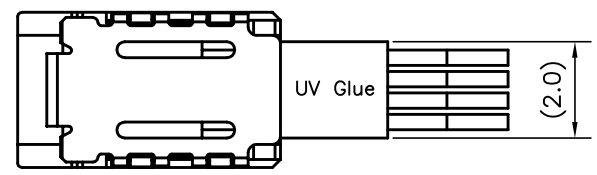


Assembly upper shell



kapton Size:L=2.60mm  
W=2.00mm  
t=0.06mm

Stick kapton on the upper shell



一般公差 <b>TOLERANCES</b> X ±0.5    .XX ±0.15 Y ±0.25    .XXX ±0.1 ANGLES    ±2°		宏致電子股份有限公司 <b>Aces Electronics Co.,Ltd.</b>	
檢驗尺寸標示 <b>SYMBOLS</b> ⊕ ⊕ INDICATE CLASSIFICATION DIMENSION ⊕ MARK IS CRITICAL DIM. ⊕ MARK IS MAJOR DIM.	品名 (TITLE) SLIMMATE SERIES 0.4mm PITCH WTB(H=1.72)CONN MALE .	製圖 (DR) '17/03/27 審核 (CHKD) SEAN	CARL
表面處理 (FINISH)	圖號 (DWG.NO) 51329-XXXXX-XXX	核准 (APPD) JASON	核對 (CHKD)
比例 (SCALE) 10:1	單位 (UNITS) mm	張數 (SHEET) 3 OF 3	尺寸 (SIZE) A4 版本 (REV) C

A B C D E F